



## Auger Torque T150 Hedge Trimmer for Excavator and Skidsteer

The **Auger Torque Hedge Trimmer** is the perfect addition for excavators (1.5 – 8T) and skidsteer loaders, and offers a variety of motor sizes to suit your application. Attaching to an excavator provides extra-long cutting reach, gaining access to those taller trees and deeper hedges. The newly designed skidsteer mounting frame allows you to quickly switch the Hedge Trimmer between left and right sides of the skidsteer. The Hedge Trimmer is also ideal for cutting long grass and brush.

Attaching the optional tooth extension bar provides a full 2.5m cutting length. This is sure to make trimming more precise, efficient and will provide yet another way to expand the versatility of existing machines.

**A neat and accurate cut, every time.**



### Features

- ▶ 1.5m cutting length
- ▶ Optional 1m cutting extension bar
- ▶ Cuts up to 40mm diameter
- ▶ Replace individual cutting teeth as required
- ▶ Hoses included
- ▶ Delivered ready to use

Visit the Auger Torque website to watch a demo

## Specifications

### T150 HEDGE TRIMMER

**50cc Motor Variant**  
**Suited to:** Excavators 1.5-2.5 T  
 Skidsteer Loaders  
**Oil Pressure Range:** 28-220 Bar (406-3191 psi)  
**Oil Flow Range:** 8-65 lpm (2.1-17.2 gpm)

**80cc Motor Variant**  
**Suited to:** Excavators 2.5-4.5 T  
 Skidsteer Loaders  
**Oil Pressure Range:** 28-220 Bar (406-3191 psi)  
**Oil Flow Range:** 8-66 lpm (2.1-17.4 gpm)

**100cc Motor Variant**  
**Suited to:** Excavators 4.5-8 T  
 Skidsteer Loaders  
**Oil Pressure Range:** 28-220 Bar (406-3191 psi)  
**Oil Flow Range:** 8-71 lpm (2.1-18.8 gpm)

**Max. Back Pressure:** 20 Bar (290 psi)  
**Hose Port Diameter:** 1/2" BSP  
**Cutting Length:** 1500 mm (59")  
**Max. Cutting Diameter:** 40 mm (1.58")  
**Dimensions:**  
 203 mm x 1537 mm x 270 mm (h x w x d)  
 (7.99 in x 60.5 in x 10.61 in) (h x w x d)  
**Weight:** 69 kg (152 lb)

### EXTENSION

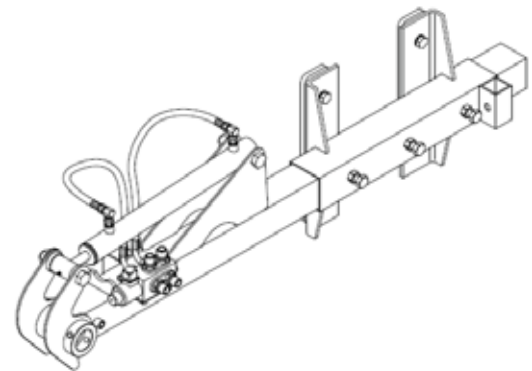
**Cutting Length:** 1 m (40")  
**Combined Cutting Length:** 2.5 m (100")  
**Max. Cutting Diameter:** 40 mm (1.58")

**Dimensions**  
 118 mm x 1192 mm x 225 mm (h x w x d)  
 (4.65in x 46.93in x 8.86in) (h x w x d)

**Weight**  
 69 kg (57.3 lbs)

### OFFSET MOUNT

**Max. Offset Distance:** 1.3 m (51 in)  
**Cutting Angle:** Horizontal thru Vertical  
**Operating Voltage:** 12V  
**Dimensions:**  
 420 mm x 245 mm x 1510 mm (h x w x l)  
 16.46 in x 9.69 in x 59.33 in (h x w x l)  
**Weight:** 56 kg (124 lbs)



Part of the Auger Torque landscaping range

STUMP PLANERS | LOG SPLITTERS | MULCHERS | HEDGE TRIMMERS | SWEEPER BROOMS



[www.augertorque.com](http://www.augertorque.com)

CALL 01451 861652

EMAIL [sales@augertorque.com](mailto:sales@augertorque.com)

OR CONTACT YOUR NEAREST DEALER